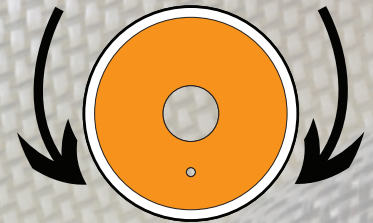
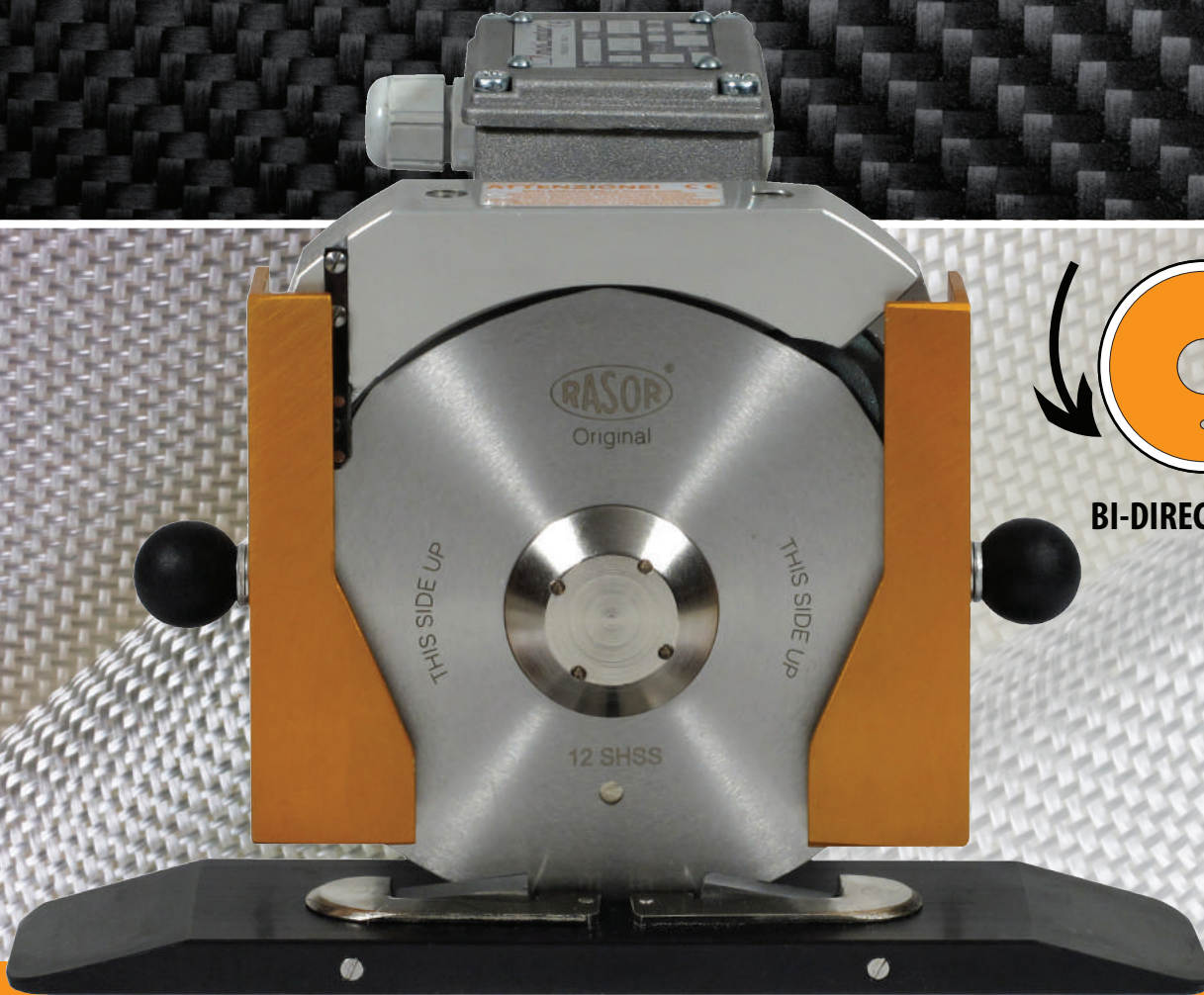




3-PHASES

AVAILABLE IN 480 V

AVAILABLE IN 60 Hz



BI-DIRECTIONAL

DD120DT

ELECTRIC 3-PHASES

DIRECT DRIVE BIDIRECTIONAL CUTTING UNIT



1946

DD120DT. Bidirectional Direct Drive professional cutting unit for high-speed cutting processes in Technical Textile & Composite applications.

RASOR[®]

1946

ELECTRIC 3-PHASES DIRECT DRIVE BIDIRECTIONAL CUTTING UNIT DD120DT

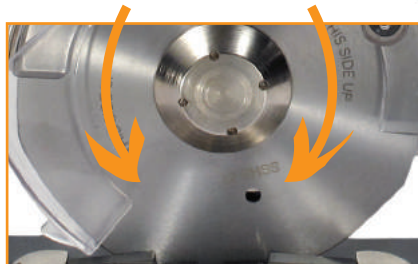
WHAT'S NEW:

Save time with bi-directional cutting system
Direct Drive technology with no gearbox
High cutting speed
Low-friction Teflon coated foot
Easy fixing structure for O.E.M. applications
Maintenance-free industrial motor

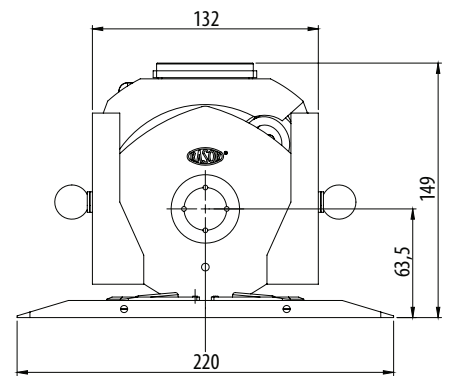
TECHNICAL DETAILS:

Blade diameter: 120 mm (4.7"),
with double hard metal counterblade
Blade equipped: 12SHSS, 8-edges, HSS
steel
Blade speed: 2600 r.p.m.
Cutting ability: up to 50 mm (2"),
bidirectional
Motor: 3-phase asynchronous 380/400 V,
50 Hz
Power: 180 W
Max. absorption: 0.52 A
Protection: IP20 - CL F
Net weight: 4150 g (with power supply
cord)
Total weight (with packing box): 5850 g
Electric cable length: 1.5 mt (with no
plug)
**Minimum brightness for working
operations:** LUX 200
Vibrations at start up: < 2.5 m/sec 2
Temperature range: 0 – 55 C
Umidity range: 10 – 95% without
condensate

CE IP20



Sharpening device



Dimension layout

BLADES AVAILABLE:

12SHSS, 120 mm 8-edges, HSS steel | **12CSW**, 120 mm circular, EXTRA steel | **12DHSS**, 120 mm 12-edges, HSS steel | **12SHSSTF**, 120 mm 8-edges, HSS steel Teflon[®] coated | **12SHSSTN**, 120 mm 8-edges, HSS steel Titanium coated | **12DHSSTN**, 120 mm 12-edges, HSS steel Titanium coated | **12SMD**, 120 mm 8-edges, Carbide (Widia[®])



PETRONI SRL
Via A. Bucchi, 1/B
06012 Città di Castello (PG)
+39 075/852.07.87
www.petronisrl.it